

Installation instructions for PZ4AL-02215-00
Under Run Protective Shield Transmission Case

LEXUS GS



LEXUS IS



Model Year:	GS 250/GS250 F-sport - 2012	IS 250/IS250 F-sport - 2013-	IS 300 h 2013-
Vehicle Code:	GRL11L-BETQHW	GSE30L-AETLHW	AVE30L-AEXLHW
Part Number:	PZ4AL-02215-00		



Weight:

4,71 kg

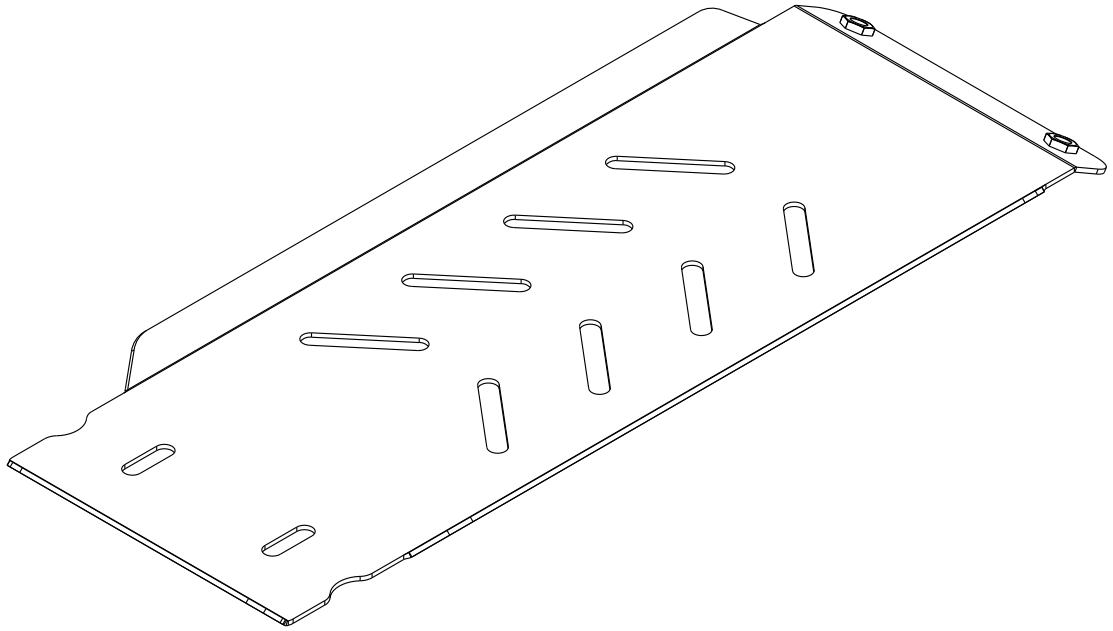


Installation Time:

30 min

PZ4AL-02215-00

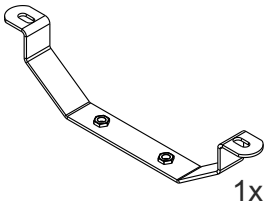
A



1x

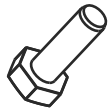
PZ4AL-02215-60

B



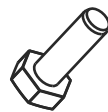
1x

C1



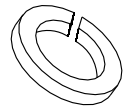
4x M10x25

C2



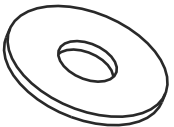
2x M10x1,25x20

D1

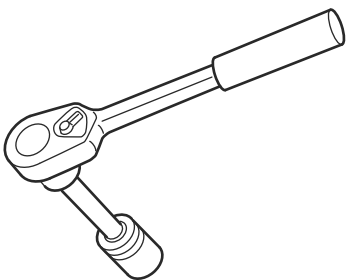


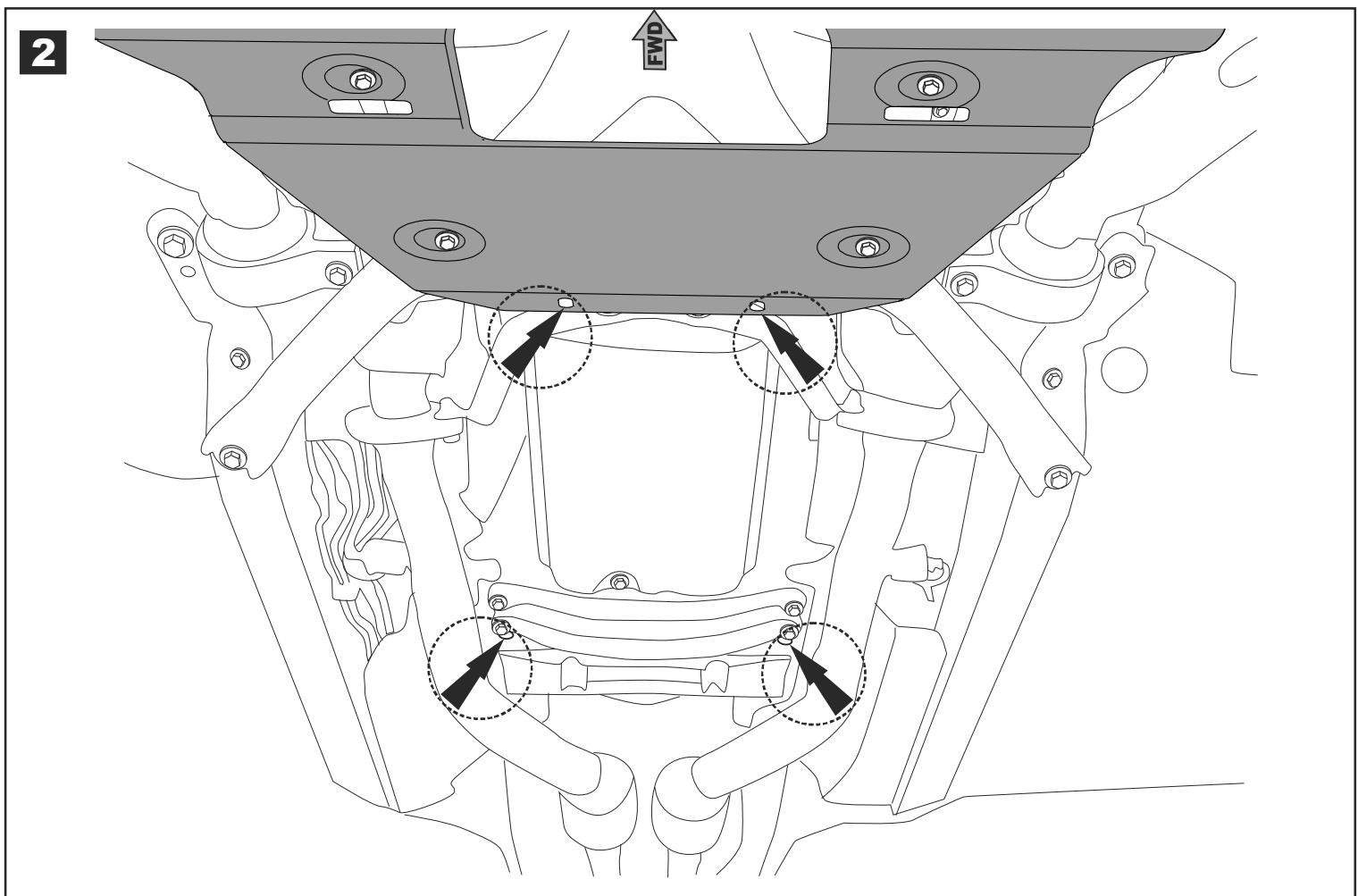
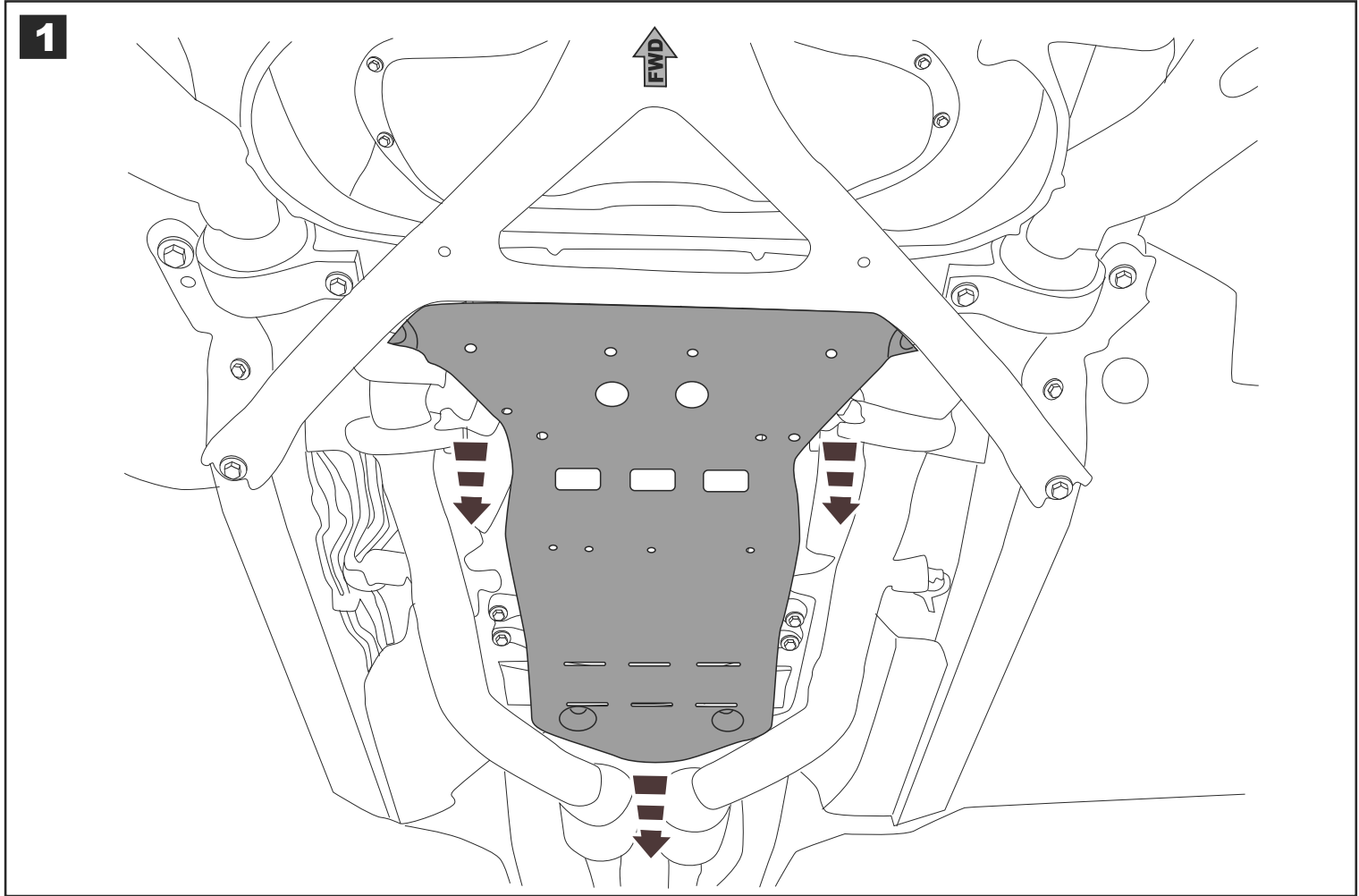
6x Ø10G

D2

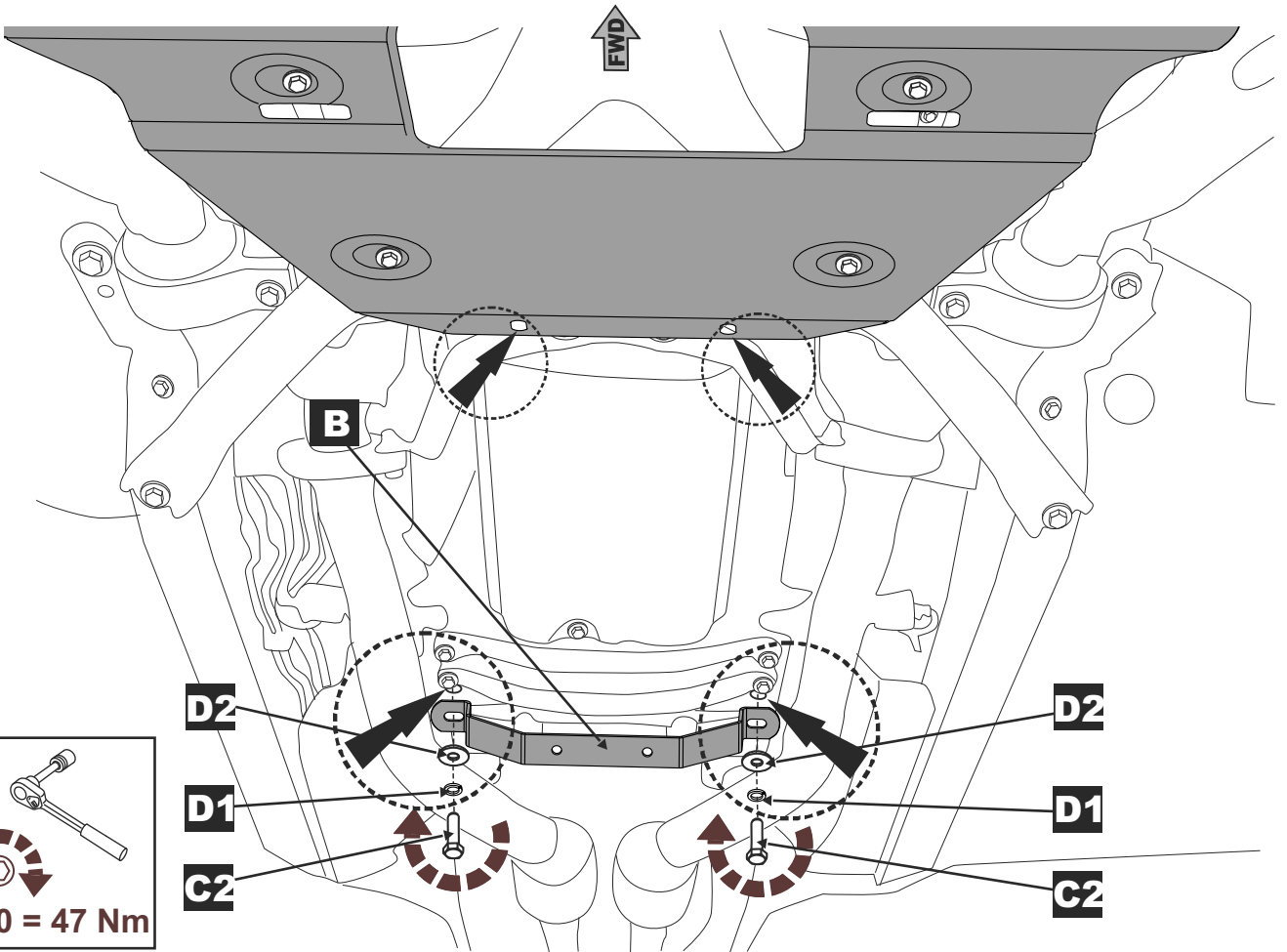


6x Ø10

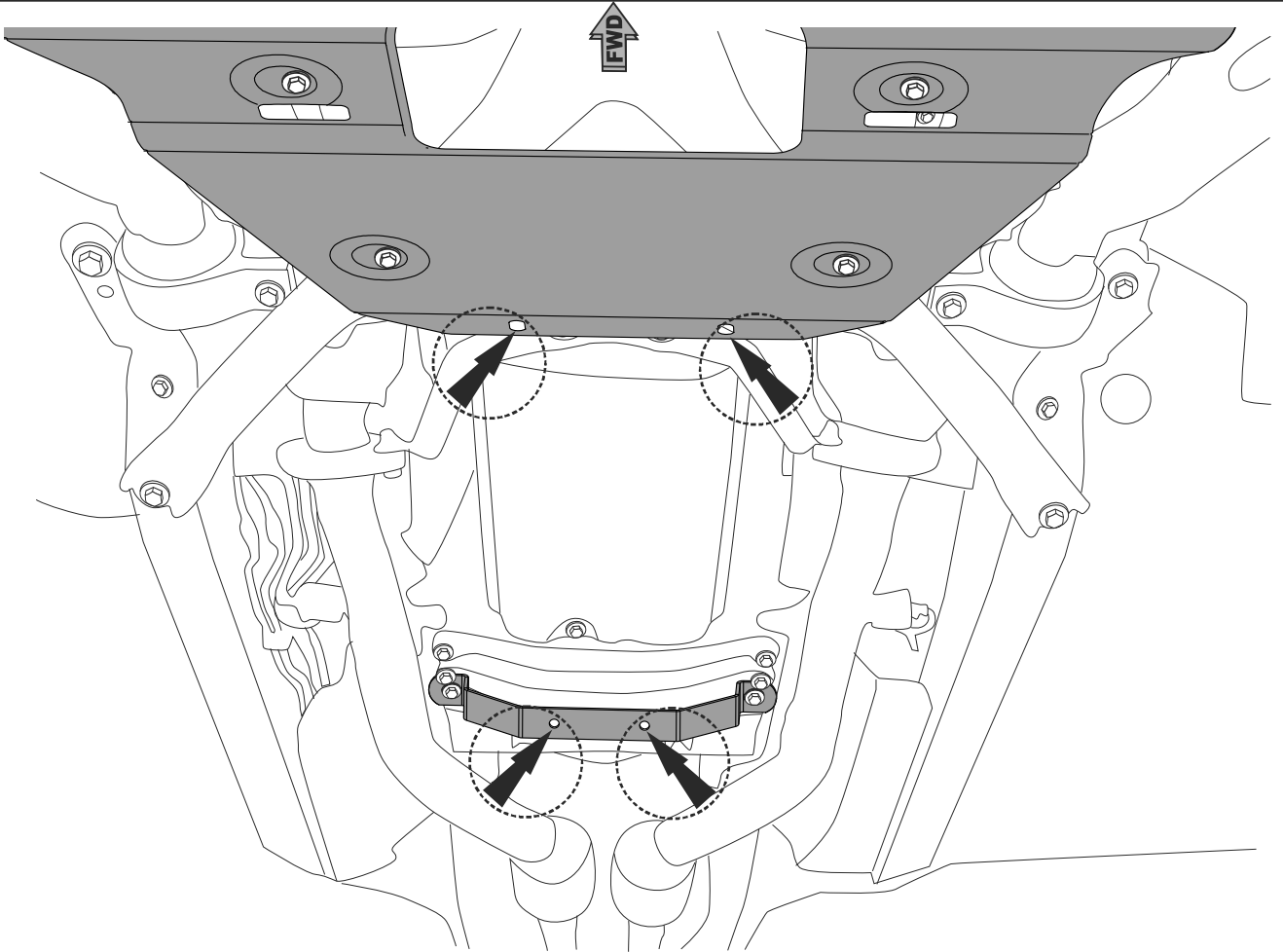




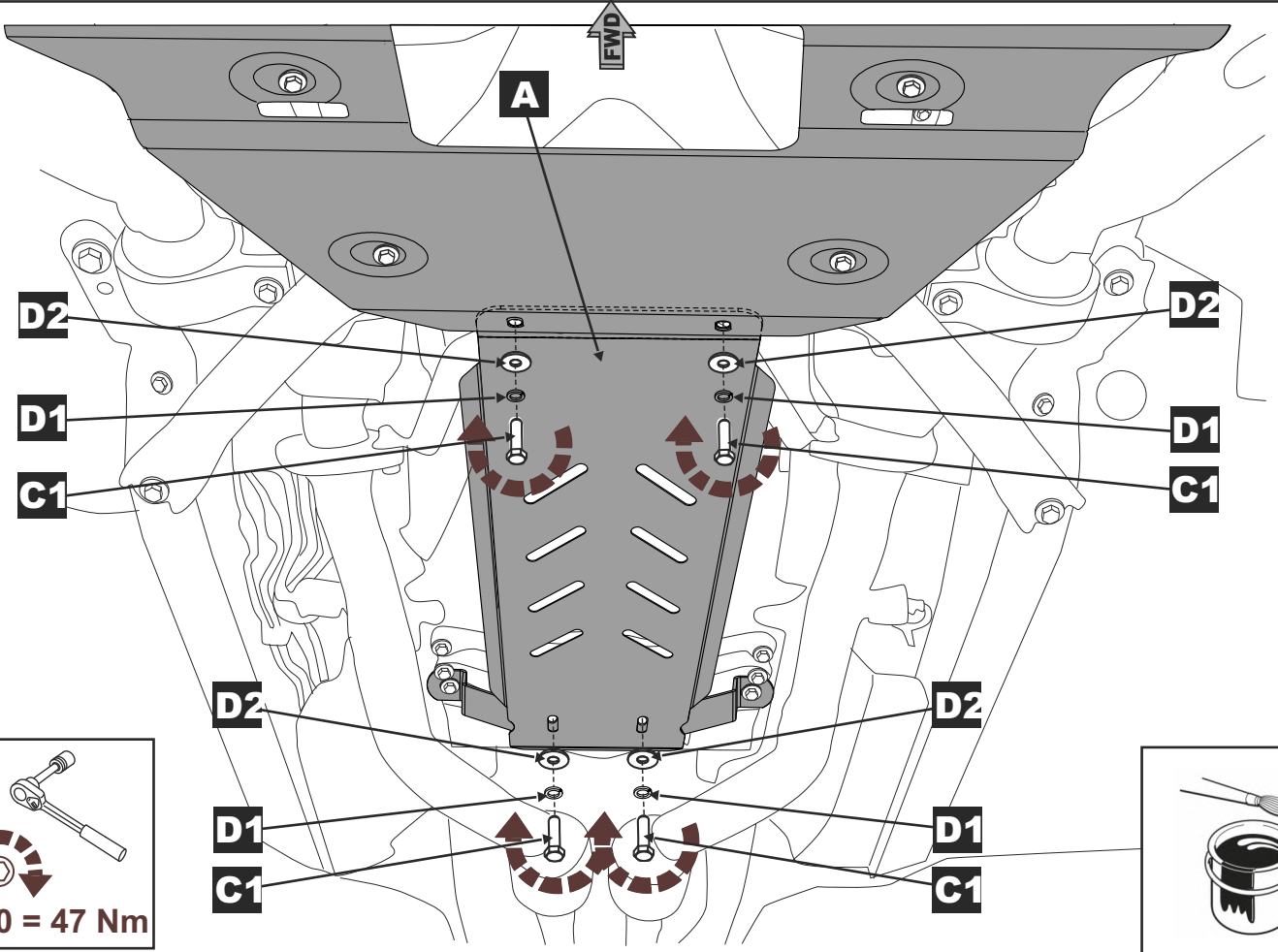
3



4



5



M10 = 47 Nm

6

